

# Original 1227™ Giant Outdoor Floor Lamp

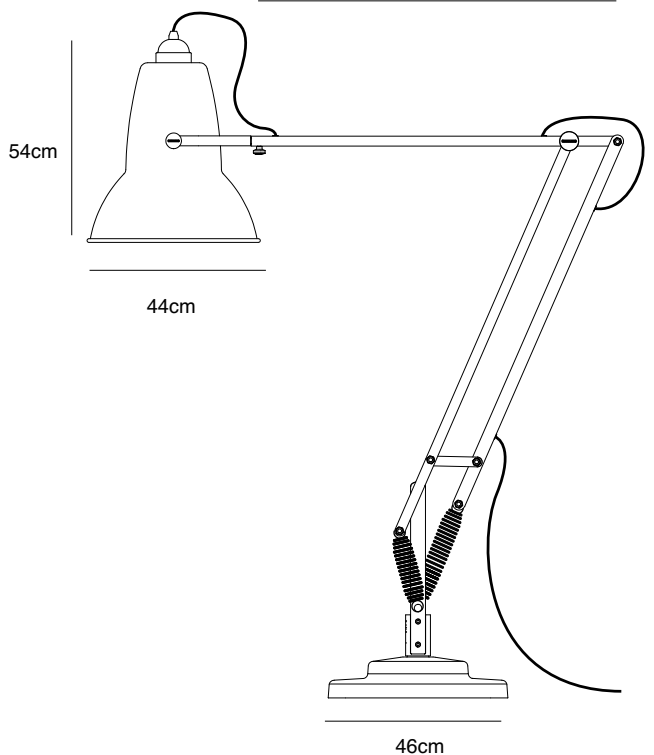
ANGLEPOISE®

Original 1227™ Giant Outdoor Collection | Technical Sheet

Launched In 2016 | Designed by George Carwardine



95cm



Colours	Closest RAL Reference
---------	-----------------------

### Gloss Finish

Floor Lamp - Jet Black With Black Cable Braid	9017
Floor Lamp - Linen White With Grey Cable Braid	9010
Floor Lamp - Dove Grey With Grey Cable Braid	7040
Floor Lamp - Alpine White With Grey Cable Braid	9016
Floor Lamp - Citrus Yellow With Black Cable Braid	1018
Floor Lamp - Crimson Red With Black Cable Braid	3001
Floor Lamp - Fresh Orange With Black Cable Braid	2011
Floor Lamp - Vibrant Magenta With Black Cable Braid	4006
Floor Lamp - Marine Blue With Black Cable Braid	5001

### Satin Finish

Floor Lamp - Duck Egg Blue With Grey Cable Braid	BS16C33*
Floor Lamp - Blossom Pink With Grey Cable Braid	BS453*
Floor Lamp - Linen White With Grey Cable Braid	9010
Floor Lamp - Moon Grey With Grey Cable Braid	7047
Floor Lamp - Slate Grey With Black Cable Braid	7012
Floor Lamp - Jet Black With Black Cable Braid	9017

### Floor Lamp - Custom Colour or Finish

\*British Standards colour reference.

### Description

Anglepoise® classic blend of form and function, together with marine-grade stainless steel fittings and knurled bespoke adjuster wheels, sealed light unit and durable silicone rubber cable, make the Original 1227™ Outdoor Giant floor lamp the perfect exterior lighting solution. This statement piece comes in 15 colours and will turn a garden terrace into a striking al fresco room.

### Materials

- Gloss or satin powder coat finishes
- Stainless steel adjuster wheels, shade cap, fasteners and spacers
- Aluminium fork block, bridle, shade, arms and fork
- Cast aluminium base with coated cast iron base weights
- Silicone rubber covered cable
- Anglepoise® constant tension spring technology

### Dimensions

- Shade diameter: 44cm
- Shade height: 47cm
- Max reach: 270cm (from base to shade)
- Base size: 45 x 45cm
- Cable length: 1000cm
- Lamp Packaging (L x W x H): 98cm x 64.5cm x 184cm
- Lamp Packaged Weight: 50.8kg

### Electrical

- Voltage: 220/240V, 50/60 Hz
- Class I - Earth Connection Required
- E27 lamp holder
- Maximum permitted bulb: 60W Halogen
- Inline electrical connector (assembled 150cm from product)
- Plug: None - To be installed by qualified electrical installer
- Supplied with 13W A65 LED bulb:
  - Luminous Intensity: 1200lm
  - Life: 15,000 Hours
  - Non-dimmable
  - Colour Temperature: 2700K
  - CRI (Ra): 80



Customise  
Custom colour &  
finish available



IP65 Rated  
Outdoor Suitable