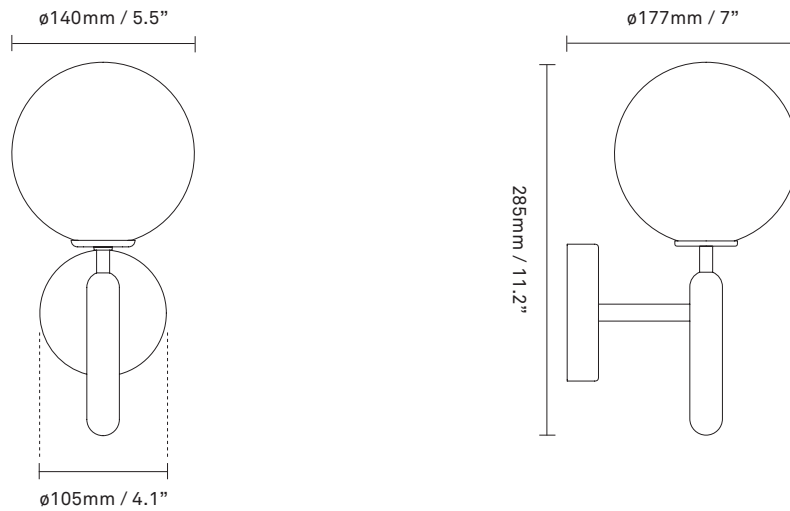


NUURA



MIIRA WALL
brass / optic clear

Design: Sofie Refer, 2021



Miira Wall has a balanced graphic look suitable for domestic and public spaces. Wall plate fits US 3½" pancake bracket.

Explore the rest of the **Miira collection** on our website, [here](#)

Product no.: EU - 2035003 / US - 3035003

Certifications: CE, IP20, Class II (EU), Class I (US)

Type: Wall / ceiling light - indoor

For information about IP ratings, click [here](#)

Colour: Glass: optic clear / Metal: brass

Cleaning: Use a soft dry cloth to clean the product.
Do not use household cleaners.

Materials: Anodized metal, mouth-blown glass

Dimensions: 177mm / 7in x 285mm / 11.2in
Glass: ϕ 140 / 5.5in

Light source: Socket: G9
Max wattage: 7W LED
Voltage (V): 220-240V / 120V

Weight: Armature + glass: 1080g

Packaging: Dimensions: L: 419mm / 16.5in x W: 155mm / 6.1in x H: 166mm / 6.5in
Weight: 420g
Total weight incl. product: 1500g
Number of parcels: 1
Material: Brown cardboard

See recommended light source [here](#)

Light sources not included

Dimmable if installed with appropriate dimmable LED light source(s) suitable for your dimmer circuit.

Light source can be added to delivery on request or via our webshop at nuura.com.

Works with appropriate lighting control module. Module can be added to delivery on request.

Find our recommendations [here](#)